

Air Preparation Modular System

Lubricator Series AL



- To be used as stacking manifold or as single device.
- Bowl protection from body size 30.
- Lubricator adjustable with visual inspection.
- Refillable under pressure from body size 30.
- Temperature range -5 to 60° C.

Part number	Port Size	Bowl capacity (cm ³)	Recommended lubricant	Circuit Symbols
AL10-M5	M5	7	Class 1 Turbine oil ISO VG32	
AL20-F01	G1/8	25		
AL20-F02	G1/4	25		
AL30-F02	G1/4	55		
AL30-F03	G3/8	55		
AL40-F03	G3/8	135		
AL40-F04	G1/2	135		
AL40-F06	G3/4	135		
AL50-F06	G3/4	135		
AL60-F10	G1	135		

Bracket assembly

Series 20	Series 30	Series 40	Series 40-F06	Series 50•60
AF20-050AS	AF30P-050AS	AF40P-050AS	AF40P-070AS	AF50P-050AS

Regulator with Built-in Pressure Gauge Filter Regulator with Built-in Pressure Gauge Series ARG/AWG



- Visibility of pressure gauge is improved in various installation places.
- Space saving, Labour saving: Panel-cut for pressure gauge is not necessary.
- Installation and removal of pressure gauge cover is possible with one-touch.
- Pressure gauge anti-revolving mechanism.

Part number	Port Size	Set pressure range MPa	Circuit Symbols
A□G20-F01G1H	G 1/8	0.05 to 0.85	ARG
A□G20-F02G1H	G 1/4		AWG
A□G30-F02G1H	G 1/4		
A□G30-F03G1H	G 3/8		
A□G40-F03G1H	G 3/8		
A□G40-F04G1H	G 1/2		

- R: Regulator with Built-in Pressure Gauge
- W: Filter Regulator with Built-in Pressure Gauge

Bracket assembly

Series 20	Series 30	Series 40
ARG20P-270AS	ARG30P-270AS	ARG40P-270AS

Digital Pressure Switch Series ISE35

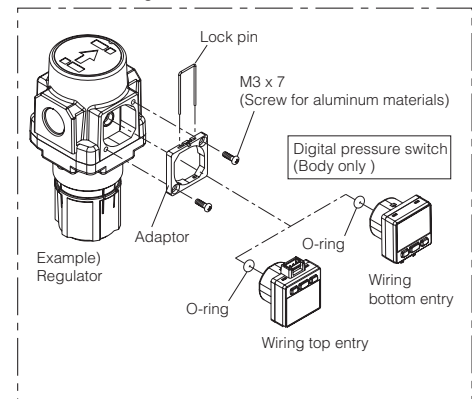


- Built-in pressure switch for AR/AW/ARM and AC series.
- Switch replaceable.
- 2 Colour display.
- CE marking.
- Enclosure: IP40.

Part number	Pressure range (MPa)	Switch output	Power supply voltage
ISE35-□-65-L□	0 to 1	PNP open collector 1 output	12 to 24 VDC

- N = Wiring bottom entry
- R = Wiring top entry
- ** Option
- A = With accessories (AR/AW series)
- B = With accessories (ARM10/11 series)

Digital Pressure Switch Details



This catalogue contains only limited product information. If you require any additional options or technical details, please refer to our individual product catalogues, our product information on CD, our web page: www.smc.eu or by contacting your nearest SMC office.