

Air Filter *Series AF10-A to AF60-A*

Standard Specifications

Model	AF10-A	AF20-A	AF30-A	AF40-A	AF40-06-A	AF50-A	AF60-A
Port size	M5 x 0.8	1/8, 1/4	1/4, 3/8	1/4, 3/8, 1/2	3/4	3/4, 1	1
Fluid	Air						
Ambient and fluid temperature	-5 to 60 °C (with no freezing)						
Proof pressure	1.5 MPa						
Maximum operating pressure	1.0 MPa						
Nominal filtration rating	5 μm						
Drain capacity [cm ³]	2.5	8	25	45			
Bowl material	Polycarbonate						
Bowl guard	—	Semi-standard (Steel)	Standard (Polycarbonate)				
Weight [kg]	0.06	0.08	0.18	0.36	0.41	0.87	1.00

Options/Part No.

Optional specifications	Model						
	AF10-A	AF20-A	AF30-A	AF40-A	AF40-06-A	AF50-A	AF60-A
Bracket assembly ^(Note)	—	AF22P-050AS	AF32P-050AS	AF42P-050AS	AF42P-070AS	AF52P-050AS	

Note) Assembly of a bracket and 2 mounting screws

Bowl Assembly/Part No.

Bowl material	Drain discharge mechanism	Drain port	Other	Model						
				AF10-A	AF20-A	AF30-A	AF40-A	AF40-06-A	AF50-A	AF60-A
Polycarbonate bowl	Manual discharge	With drain cock	—	C1SF-A	C2SF-A	—	—			
		With bowl guard	—	—	C2SF-C-A	C3SF-A	C4SF-A			
		Drain cock with barb fitting	With bowl guard	—	—	C3SF-W-A	C4SF-W-A			
		With drain guide (without valve function)	With bowl guard	—	C2SF□-J-A	—	—			
	Automatic discharge ^(Note) (Auto drain)	Normally closed (N.C.)	—	AD17-A	AD27-A	—	—			
		With bowl guard	—	—	AD27-C-A	AD37□-A	AD47□-A			
Nylon bowl	Manual discharge	Normally open (N.O.)	With bowl guard	—	—	AD38□-A	AD48□-A			
		With drain cock	—	C1SF-6-A	C2SF-6-A	—	—			
		With bowl guard	—	—	C2SF-6C-A	C3SF-6-A	C4SF-6-A			
		Drain cock with barb fitting	With bowl guard	—	—	C3SF-6W-A	C4SF-6W-A			
	Automatic discharge ^(Note) (Auto drain)	With drain guide (without valve function)	With bowl guard	—	C2SF□-6J-A	—	—			
		With bowl guard	—	C2SF□-6CJ-A	C3SF□-6J-A	C4SF□-6J-A				
Metal bowl	Manual discharge	Normally closed (N.C.)	—	AD17-6-A	AD27-6-A	—	—			
		With bowl guard	—	—	AD27-6C-A	AD37□-6-A	AD47□-6-A			
		Normally open (N.O.)	With bowl guard	—	—	AD38□-6-A	AD48□-6-A			
		With drain cock	—	C1SF-2-A	C2SF-2-A	C3SF-2-A	C4SF-2-A			
	Automatic discharge ^(Note) (Auto drain)	With level gauge	—	—	—	C3LF-8-A	C4LF-8-A			
		With drain guide (without valve function)	With level gauge	—	—	C2SF□-2J-A	C3SF□-2J-A	C4SF□-2J-A		
Metal bowl	Manual discharge	With level gauge	—	—	C3LF□-8J-A	C4LF□-8J-A				
		Normally closed (N.C.)	—	AD17-2-A	AD27-2-A	AD37□-2-A	AD47□-2-A			
	Automatic discharge ^(Note) (Auto drain)	With level gauge	—	—	—	AD37□-8-A	AD47□-8-A			
		Normally open (N.O.)	With level gauge	—	—	AD38□-2-A	AD48□-2-A			
Metal bowl	Automatic discharge ^(Note) (Auto drain)	With level gauge	—	—	AD38□-8-A	AD48□-8-A				

Note) Minimum operating pressure: N.O. type—0.1 MPa (AD38-A, AD48-A); N.C. type—0.1 MPa (AD17-A, AD27-A) and 0.15 MPa (AD37-A, AD47-A).

Bowl assembly for the AF20-A to AF60-A models comes with a bowl seal.

□ in bowl assembly part numbers indicates a pipe thread type (applicable tubing for auto drain).

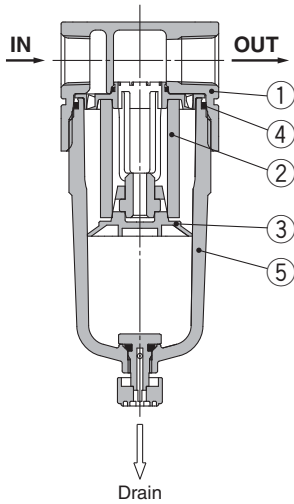
No indication is necessary for Rc thread; however, indicate N for NPT thread, and F for G thread. (For auto drain, —: ø10, N: ø3/8")

Please consult with SMC separately for psi and °F unit display specifications.

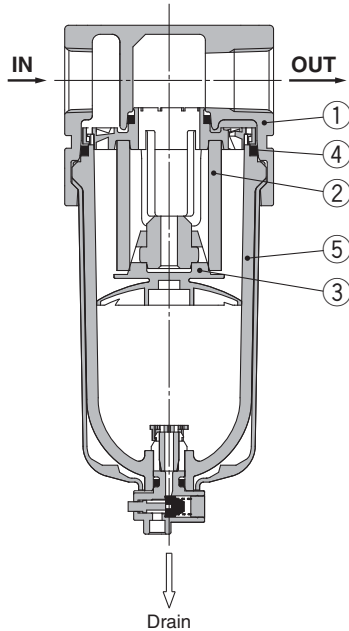
AC
 AF+AR+AL
 AW+AL
 AF+AR
 AF+AFM+AR
 AW+AFM
 Attachment
 AF
 AFM / AFD
 AR
 AL
 AW

Construction

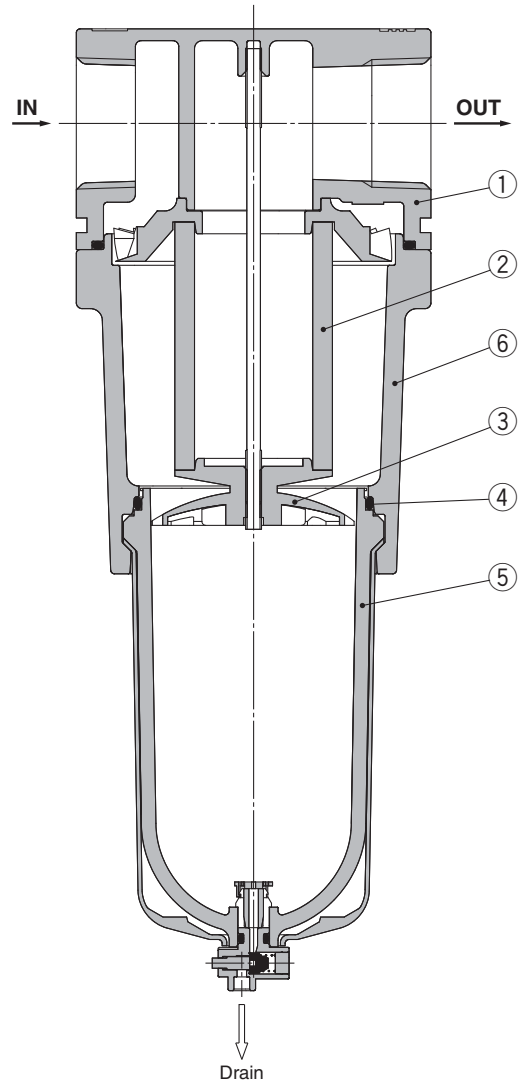
AF10-A/AF20-A



AF30-A to AF40-06-A



AF50-A/AF60-A



Component Parts

No.	Description	Material	Model	Colour
1	Body	Zinc die-cast	AF10-A	White
		Aluminum die-cast	AF20-A to AF60-A	
6	Housing	Aluminum die-cast	AF50-A/AF60-A	White

Replacement Parts

No.	Description	Material	Part no.						
			AF10-A	AF20-A	AF30-A	AF40-A	AF40-06-A	AF50-A	AF60-A
2	Filter element	Non-woven fabric	AF10P-060S	AF20P-060S	AF30P-060S	AF40P-060S		AF50P-060S	AF60P-060S
3	Baffle	PBT	AF10P-040S ^{Note 2)}	AF22P-040S	AF32P-040S	AF42P-040S		AF50P-040S	AF60P-040S
4	Bowl seal	NBR	C1SFP-260S	C2SFP-260S	C3SFP-260S	C42FP-260S			
5	Bowl assembly ^{Note 1)}	Polycarbonate	C1SF-A	C2SF-A	C3SF-A	C4SF-A			

Note 1) Bowl seal is included for the AF20-A to AF60-A. Please contact SMC regarding the supply of bowl assembly with psi and °F unit display specifications.
 Note 2) The baffle material for the AF10-A (AF10P-040S) only is polyacetal.

AC

AF+AR+AL

AW+AL

AF+AR

AF+AFM+AR

AW+AFM

Attachment

AF

AFM / AFD

AR

AL

AW

Mist Separator *Series AFM20-A to AFM40-A*

Micro Mist Separator *Series AFD20-A to AFD40-A*

Standard Specifications

Model	AFM20-A AFD20-A	AFM30-A AFD30-A	AFM40-A AFD40-A	AFM40-06-A AFD40-06-A
Port size	1/8, 1/4	1/4, 3/8	1/4, 3/8, 1/2	3/4
Fluid	Air			
Ambient and fluid temperature	- 5 to 60°C (with no freezing)			
Proof pressure	1.5 MPa			
Maximum operating pressure	1.0 MPa			
Minimum operating pressure	0.05 MPa			
Nominal filtration rating	AFM20-A to AFM40-06-A	0.3 μm (99.9% filtered particle size)		
	AFD20-A to AFD40-06-A	0.01 μm (99.9% filtered particle size)		
Outlet side oil mist concentration	AFM20-A to AFM40-06-A	Max. 1.0 mg/m ³ (ANR) (≈ 0.8 ppm) ^{Note 2) Note 3)}		
	AFD20-A to AFD40-06-A	Max. 0.1 mg/m ³ (ANR) (Before saturated with oil 0.01 mg/m ³ (ANR) or less ≈ 0.008 ppm) ^{Note 2) Note 3)}		
Rated flow (L/min (ANR)) ^{Note 1)}	AFM20-A to AFM40-06-A	200	450	1100
	AFD20-A to AFD40-06-A	120	240	600
Drain capacity (cm ³)	8	25	45	
Bowl material	Polycarbonate			
Bowl guard	Semi-standard (Steel)		Standard (Polycarbonate)	
Weight [kg]	0.09	0.19	0.38	0.43

Note 1) Conditions: Inlet pressure: 0.7 MPa; The rated flow varies depending on the inlet pressure.

Keep the air flow within the rated flow to prevent an outflow of lubricant to the outlet side.

Note 2) When the compressor oil mist discharge concentration is 30 mg/m³ (ANR).

Note 3) Bowl seal and other O-rings are slightly lubricated.

Options/Part No.

Optional specifications	Model			
	AFM20-A AFD20-A	AFM30-A AFD30-A	AFM40-A AFD40-A	AFM40-06-A AFD40-06-A
Bracket assembly ^{Note 1)}	AF22P-050AS	AF32P-050AS	AF42P-050AS	AF42P-070AS
Float type auto drain ^{Note 2) Note 3)}	N.C.	AD27-A	AD37-A	AD47-A
	N.O.	—	AD38-A	AD48-A

Note 1) Assembly of a bracket and 2 mounting screws

Note 2) Minimum operating pressure: N.O. type—0.1 MPa; N.C. type—0.1 MPa (AD27-A) and 0.15 MPa (AD37-A/AD47-A).

Please consult with SMC separately for psi and °F unit display specifications.

Note 3) Please consult with SMC for details on drain piping to fit NPT or G port sizes.

Bowl Assembly/Part No.

Bowl material	Drain discharge mechanism	Drain port	Other	Model			
				AFM20-A AFD20-A	AFM30-A AFD30-A	AFM40-A AFD40-A	AFM40-06-A AFD40-06-A
Polycarbonate bowl	Manual discharge	With drain cock	—	C2SF-A	—	—	
		With bowl guard	—	C2SF-C-A	C3SF-A	C4SF-A	
		Drain cock with barb fitting	With bowl guard	—	C3SF-W-A	C4SF-W-A	
		With drain guide (without valve function)	—	C2SF□-J-A	—	—	
	With bowl guard	—	C2SF□-CJ-A	C3SF□-J-A	C4SF□-J-A		
	Automatic ^{Note)} discharge (Auto drain)	Normally closed (N.C.)	—	AD27-A	—	—	
With bowl guard		—	AD27-C-A	AD37□-A	AD47□-A		
Normally open (N.O.)	With bowl guard	—	AD38□-A	AD48□-A			
Nylon bowl	Manual discharge	With drain cock	—	C2SF-6-A	—	—	
		With bowl guard	—	C2SF-6C-A	C3SF-6-A	C4SF-6-A	
		Drain cock with barb fitting	With bowl guard	—	C3SF-6W-A	C4SF-6W-A	
		With drain guide (without valve function)	—	C2SF□-6J-A	—	—	
	With bowl guard	—	C2SF□-6CJ-A	C3SF□-6J-A	C4SF□-6J-A		
	Automatic ^{Note)} discharge (Auto drain)	Normally closed (N.C.)	—	AD27-6-A	—	—	
With bowl guard		—	AD27-6C-A	AD37□-6-A	AD47□-6-A		
Normally open (N.O.)	With bowl guard	—	AD38□-6-A	AD48□-6-A			
Metal bowl	Manual discharge	With drain cock	—	C2SF-2-A	C3SF-2-A	C4SF-2-A	
		With level gauge	—	—	C3LF-8-A	C4LF-8-A	
		With drain guide (without valve function)	—	C2SF□-2J-A	C3SF□-2J-A	C4SF□-2J-A	
		With level gauge	—	—	C3LF□-8J-A	C4LF□-8J-A	
	Automatic ^{Note)} discharge (Auto drain)	Normally closed (N.C.)	—	AD27-2-A	AD37□-2-A	AD47□-2-A	
		With level gauge	—	—	AD37□-8-A	AD47□-8-A	
Normally open (N.O.)	—	—	AD38□-2-A	AD48□-2-A			
With level gauge	—	—	AD38□-8-A	AD48□-8-A			

Note) Minimum operating pressure: N.O. type—0.1 MPa (AD38-A, AD48-A); N.C. type—0.1 MPa (AD17-A, AD27-A) and 0.15 MPa (AD37-A, AD47-A).

Bowl assembly for the AFM20-A to AFM40-06-A, AFD20-A to AFD40-06-A models comes with a bowl seal.

□ in bowl assembly part numbers indicates a pipe thread type (applicable tubing for auto drain). No indication is necessary for Rc thread; however, indicate N for NPT thread, and F for G thread. (For auto drain, —: ø10, N: ø3/8")

Please consult with SMC separately for psi and °F unit display specifications.

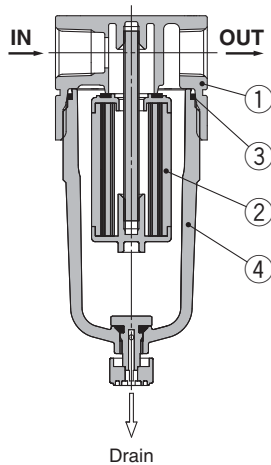
AC
 AF+AR+AL
 AW+AL
 AF+AR
 AF+AFM+AR
 AW+AFM
 Attachment
 AF
 AFM / AFD
 AR
 AL
 AW

Series AFM20-A to AFM40-A

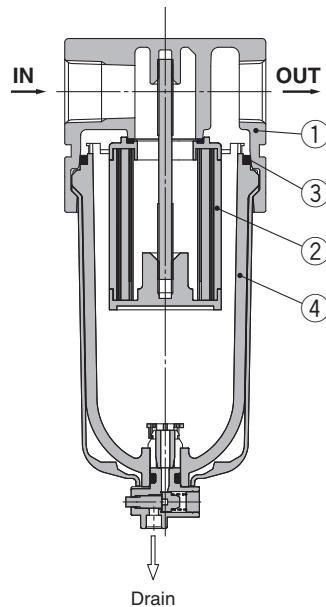
Series AFD20-A to AFD40-A

Construction

AFM20-A
AFD20-A



AFM30-A to AFM40-06-A
AFD30-A to AFD40-06-A



Component Parts

No.	Description	Material	Model	Colour
1	Body	Aluminum die-cast	AFM20-A to AFM40-06-A AFD20-A to AFD40-06-A	White

Replacement Parts

No.	Description	Material	Part no.			
			AFM20-A AFD20-A	AFM30-A AFD30-A	AFM40-A AFD40-A	AFM40-06-A AFD40-06-A
2	Element assembly	AFM20 to 40	—	AFM20P-060AS	AFM30P-060AS	AFM40P-060AS
		AFD20 to 40	—	AFD20P-060AS	AFD30P-060AS	AFD40P-060AS
3	Bowl seal	NBR	C2SFP-260S	C32FP-260S	C42FP-260S	
4	Bowl assembly ^{Note)}	Polycarbonate	C2SF-A	C3SF-A	C4SF-A	

Note) Bowl seal is included. Please contact SMC regarding the supply of bowl assembly with psi and °F unit display specifications.

Series AW10-A to AW40-A

Options/Part No.

Optional specifications			Model				
			AW10-A	AW20-A	AW30-A	AW40-A	AW40-06-A
Bracket assembly ^{Note 1)}			AR12P-270AS	AR22P-270AS	AR32P-270AS	AR42P-270AS	
Set nut			AR12P-260S	AR22P-260S	AR32P-260S	AR42P-260S	
Pressure gauge ^{Note 2)}	Round type	Standard	G27-10-R1	G36-10-□01			G46-10-□01
		0.02 to 0.2 MPa setting	G27-10-R1 ^{Note 3)}	G36-4-□01			G46-4-□01
	Round type (with colour zone)	Standard	—	G36-10-□01-L			G46-10-□01-L
		0.02 to 0.2 MPa setting	—	G36-4-□01-L			G46-4-□01-L

Note 1) Assembly of a bracket and set nuts

Note 2) □ in round pressure gauge part numbers indicates a pipe thread type. No indication is necessary for R; however, indicate N for NPT.
Please contact SMC regarding the pipe thread type NPT and the supply of pressure gauge with psi unit display specifications.

Note 3) Standard pressure gauge

Bowl Assembly/Part No.

Bowl material	Drain discharge mechanism	Drain port	Other	Model				
				AW10-A	AW20-A	AW30-A	AW40-A	AW40-06-A
Polycarbonate bowl	Manual discharge	With drain cock	—	C1SF-A	C2SF-A	—	—	
			With bowl guard	—	C2SF-C-A	C3SF-A	C4SF-A	
		Drain cock with barb fitting	With bowl guard	—	—	C3SF-W-A	C4SF-W-A	
			With drain guide (without valve function)	—	—	C2SF□-J-A	—	
	Automatic discharge ^{Note)} (Auto drain)	Normally closed (N.C.)	—	AD17-A	AD27-A	—	—	
			With bowl guard	—	AD27-C-A	AD37□-A	AD47□-A	
Normally open (N.O.)	With bowl guard	—	—	AD38□-A	AD48□-A			
Nylon bowl	Manual discharge	With drain cock	—	C1SF-6-A	C2SF-6-A	—	—	
			With bowl guard	—	C2SF-6C-A	C3SF-6-A	C4SF-6-A	
		Drain cock with barb fitting	With bowl guard	—	—	C3SF-6W-A	C4SF-6W-A	
			With drain guide (without valve function)	—	—	C2SF□-6J-A	—	
	Automatic discharge ^{Note)} (Auto drain)	Normally closed (N.C.)	—	AD17-6-A	AD27-6-A	—	—	
			With bowl guard	—	AD27-6C-A	AD37□-6-A	AD47□-6-A	
Normally open (N.O.)	With bowl guard	—	—	AD38□-6-A	AD48□-6-A			
Metal bowl	Manual discharge	With drain cock	—	C1SF-2-A	C2SF-2-A	C3SF-2-A	C4SF-2-A	
			With level gauge	—	—	C3LF-8-A	C4LF-8-A	
		With drain guide (without valve function)	—	—	C2SF□-2J-A	C3SF□-2J-A	C4SF□-2J-A	
			With level gauge	—	—	C3LF□-8J-A	C4LF□-8J-A	
	Automatic discharge ^{Note)} (Auto drain)	Normally closed (N.C.)	—	AD17-2-A	AD27-2-A	AD37□-2-A	AD47□-2-A	
			With level gauge	—	—	AD37□-8-A	AD47□-8-A	
Normally open (N.O.)	—	—	—	AD38□-2-A	AD48□-2-A			
With level gauge	—	—	—	AD38□-8-A	AD48□-8-A			

Note) Minimum operating pressure: N.O. type—0.1 MPa (AD38-A, AD48-A); N.C. type—0.1 MPa (AD17-A, AD27-A) and 0.15 MPa (AD37-A, AD47-A).

Bowl assembly for the AW10-A to AW40-06-A models comes with a bowl seal.

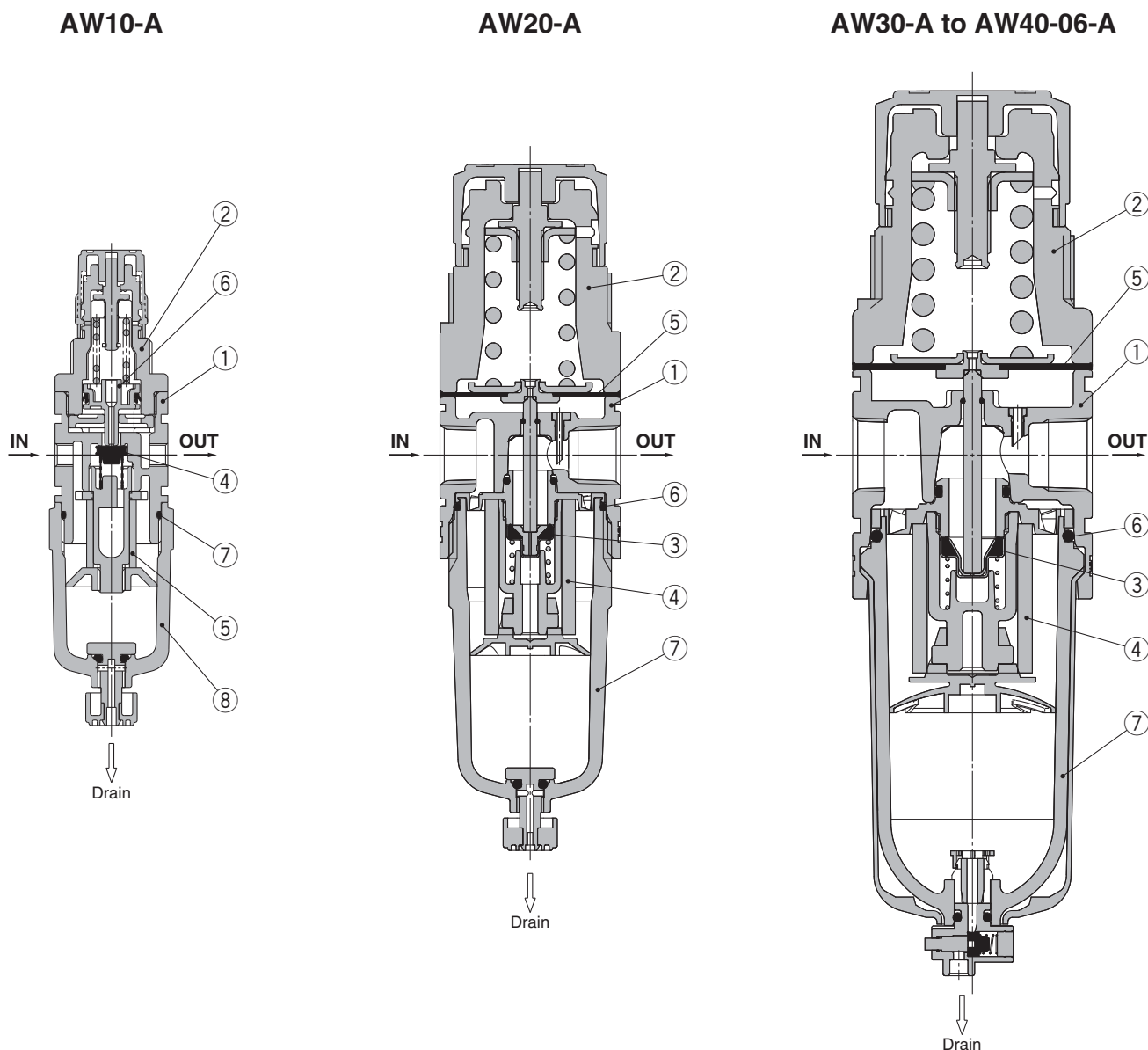
□ in bowl assembly part numbers indicates a pipe thread type (applicable tubing for auto drain).

No indication is necessary for Rc thread; however, indicate N for NPT thread, and F for G thread. (For auto drain, —: ø10, N: ø3/8")

Please consult with SMC separately for psi and °F unit display specifications.

Filter Regulator *Series AW10-A to AW40-A*

Construction



Component Parts

No.	Description	Material	Model	Colour
1	Body	Zinc die-cast	AW10-A	White
		Aluminum die-cast	AW20-A to AW40-06-A	
2	Bonnet	Polyacetal	AW10-A to AW40-06-A	White

Replacement Parts

No.	Description	Material	Part no.				
			AW10-A	AW20-A	AW30-A	AW40-A	AW40-06-A
3	Valve assembly	Stainless steel, HNBR	AR10P-090S	AW22P-060AS	AW32P-060AS	AW42P-060AS	
4	Filter element	Non-woven fabric	AF10P-060S	AF20P-060S	AF30P-060S	AF40P-060S	
5	Diaphragm assembly	Weatherable NBR	AR10P-150AS ^{Note 1)}	AR22P-150AS	AR32P-150AS	AR42P-150AS	
6	Bowl seal	NBR	C1SFP-260S	C2SFP-260S	C32FP-260S	C42FP-260S	
7	Bowl assembly ^{Note 2)}	Polycarbonate	C1SF-A	C2SF-A	C3SF-A	C4SF-A	

Note 1) The AW10-A is a piston type. Assembly of a piston and a seal (KSYP-13).

Note 2) Bowl seal is included for the AW20-A to AW40-06-A. Please contact SMC regarding the supply of bowl assembly with psi and °F unit display specifications.

AC

AF+AR+AL

AW+AL

AF+AR

AF+AFM+AR

AW+AFM

Attachment

AF

AFM / AFD

AR

AL

AW