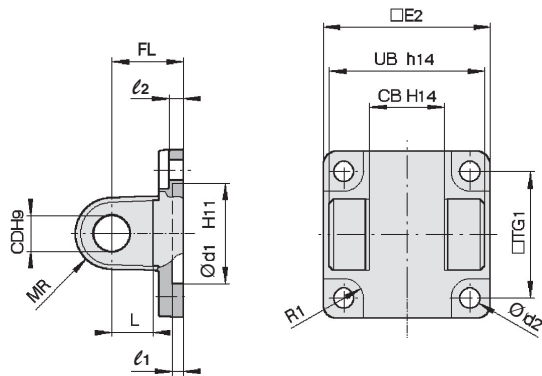


**Dimensioni: Accessori di montaggio cilindro**

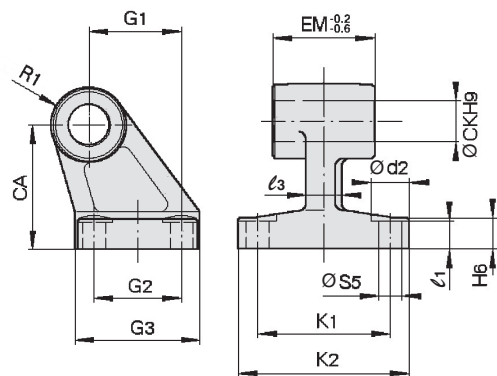
**Cerniera posteriore femmina (D)**



Diametro [mm]	Codice	TG <sub>1</sub>	FL	l <sub>1</sub>	L	l <sub>2</sub>	Ø d <sub>1</sub>	Ø CD	MR	Ø d <sub>2</sub>	R <sub>1</sub>	E <sub>2</sub>	UB	CB
32	D5032	32.5	22	5	12	5.5	30	10	9.5	6.6	6.5	48	45	26
40	D5040	38	25	5	15	5.5	35	12	12	6.6	6.5	56	52	28
50	D5050	46.5	27	5	15	6.5	40	12	12	9	8.5	64	60	32
63	D5063	56.5	32	5	20	6.5	45	16	16	9	8.5	75	70	40
80	D5080	72	36	5	20	10	45	16	16	11	11	95	90	50
100	D5100	89	41	5	25	10	55	20	20	11	12	115	110	60
125	D5125	110	50	—	30	10	60	25	25	13.5	—	140	130	70

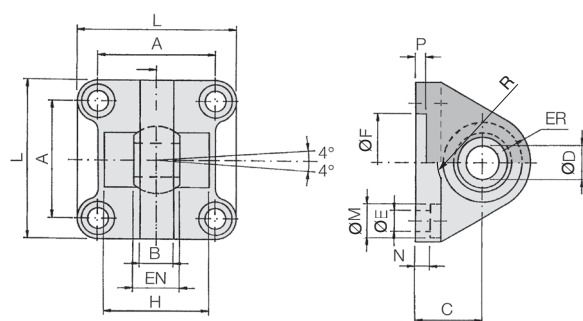
\* Fornita con 4 viti, perno cerniera e supporto perno cerniera.

**Controcerniera 90° (E)**



Diametro [mm]	Codice	Ø d <sub>2</sub>	Ø CK	Ø S5	K <sub>1</sub>	K <sub>2</sub> (max.)	l <sub>3</sub> (max.)	G <sub>1</sub>	l <sub>1</sub>	G <sub>2</sub>	EM	G <sub>3</sub> (max.)	CA	H <sub>6</sub>	R <sub>1</sub>
32	E5032	11	10	6.6	38	51	10	21	7	18	26 <sup>-0.2</sup> <sub>-0.6</sub>	31	32	8	10
40	E5040	11	12	6.6	41	54	10	24	9	22	28 <sup>-0.2</sup> <sub>-0.6</sub>	35	36	10	11
50	E5050	15	12	9	50	65	12	33	11	30	32 <sup>-0.2</sup> <sub>-0.6</sub>	45	45	12	12
63	E5063	15	16	9	52	67	14	37	11	35	40 <sup>-0.2</sup> <sub>-0.6</sub>	50	50	12	15
80	E5080	18	16	11	66	86	18	47	12.5	40	50 <sup>-0.2</sup> <sub>-0.6</sub>	60	63	14	15
100	E5100	18	20	11	76	96	20	55	13.5	50	60 <sup>-0.2</sup> <sub>-0.6</sub>	70	71	15	19
125	E5125	20	25	14	94	124	30	70	17	60	70 <sup>-0.5</sup> <sub>-1.5</sub>	90	90	20	22.5

**Controcerniera 90° con snodo articolato (CS)**



Diametro [mm]	Codice	A	B (Max.)	C	Ø D <sub>H7</sub>	EN <sub>0-0.1</sub>	ER (Max.)	Ø F <sub>H11</sub>	Ø E	L	Ø M	N	P	H <sub>±0.5</sub>	R
32	CS5032	32.5	10.5	22	10	14	15	30	6.6	45	10.5	5.5	5	36	12.5
40	CS5040	38	12	25	12	16	18	35	6.6	55	11	5.5	5	42	14.5
50	CS5050	46.5	15	27	16	21	20	40	9	65	15	6.5	5	48	19.5
63	CS5063	56.5	15	32	16	21	23	45	9	75	15	6.5	5	55	19.5
80	CS5080	72	18	36	20	25	27	45	11	95	18	10	5	70	24.5
100	CS5100	89	18	41	20	25	30	55	11	115	18	10	5	80	24.5
125	CS5125	110	25	50	30	37	40	60	13.5	140	20	10	7	100	32.5

\* Fornita con 4 viti.