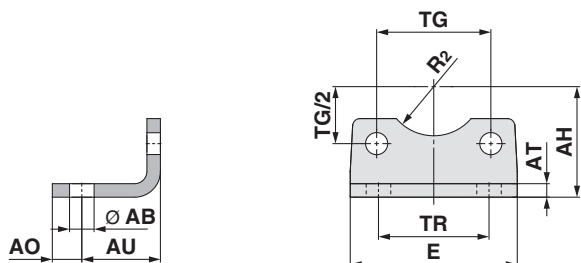


Serie CP96

Accessori

Dimensioni: accessorio di montaggio

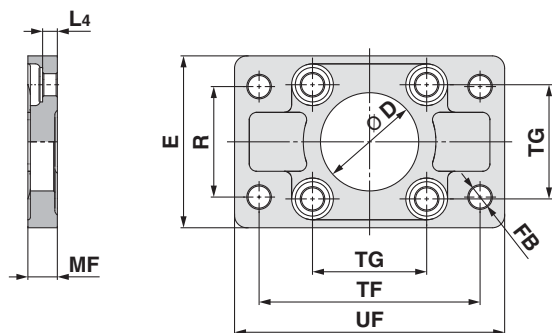
Piedino (L)



Diametro [mm]	Codice	AB	TG ± 0.2	E	TR	AO	AU	AH	AT	R2	Taglia vite
32	L5032	7	32.5	48	32	10	24	32	4.5	15	M6 x 16L
40	L5040	10	38	55	36	11	28	36	4.5	17.5	M6 x 16L
50	L5050	10	46.5	68	45	12	32	45	5.5	20	M8 x 20L
63	L5063	10	56.5	80	50	12	32	50	5.5	22.5	M8 x 20L
80	L5080	12	72	100	63	14	41	63	6.5	22.5	M10 x 20L
100	L5100	14.5	89	120	75	16	41	71	6.5	27.5	M10 x 20L
125	L5125	116	110	140	90	14	45	90	8	30	—

* Fornita con 4 viti.

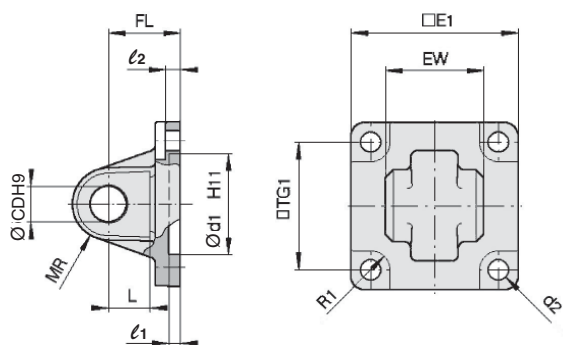
Flangia (F, G)



Diametro [mm]	Codice	D H11	\varnothing FB	TG ± 0.2	E	R	MF	TF	UF	L4	Taglia vite
32	F5032	30	7	32.5	50	32	10	64	79	5	M6 x 20L
40	F5040	35	9	38	55	36	10	72	90	5	M6 x 20L
50	F5050	40	9	46.5	70	45	12	90	110	6.5	M8 x 20L
63	F5063	45	9	56.5	80	50	12	100	120	6.5	M8 x 20L
80	F5080	45	12	72	100	63	16	126	153	9	M10 x 25L
100	F5100	55	14	89	120	75	16	150	178	9	M10 x 25L
125	F5125	60	16	90	140	90	20	180	205	105	—

* Fornita con 4 viti.

Cerniera posteriore maschio (C)



Diametro [mm]	Codice	E1	EW	TG1	FL	l1	L	l2	\varnothing d1	\varnothing CD	MR	\varnothing d2	R1
32	C5032	45	26 $^{-0.2}_{-0.6}$	32.5	22	5	12	5.5	30	10	9.5	6.6	6.5
40	C5040	51	28 $^{-0.2}_{-0.6}$	38	25	5	15	5.5	35	12	12	6.6	6.5
50	C5050	64	32 $^{-0.2}_{-0.6}$	46.5	27	5	15	6.5	40	12	12	9	8.5
63	C5063	74	40 $^{-0.2}_{-0.6}$	56.5	32	5	20	6.5	45	16	16	9	8.5
80	C5080	94	50 $^{-0.2}_{-0.6}$	72	36	5	20	10	45	16	16	11	11
100	C5100	113	60 $^{-0.2}_{-0.6}$	89	41	5	25	10	55	20	20	11	12
125	C5125	max. 157	70 $^{-0.2}_{-0.6}$	110	50	7	30	10	60	25	26	13.5	10

* Fornita con 4 viti.