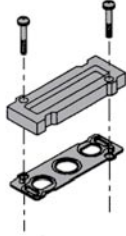


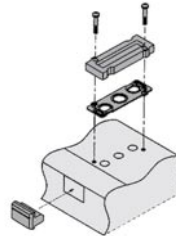
Manifold Option

■ Type 20, 23 Blanking plate assembly



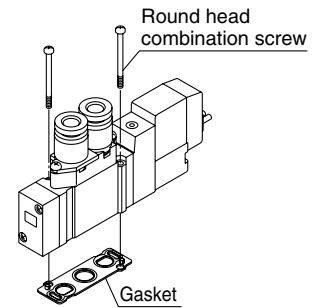
Series	Assembly part no.
SY3000	SY3000-26-19A-Q
SY5000	SY5000-26-1A-Q
SY7000	SY7000-26-1A-Q
SY9000	SY9000-26-1A-Q

■ Type 20P, 23P Blanking plate assembly



Series	Assembly part no.
SY3000	SY3000-26-20A-Q
SY5000	SY5000-26-3A-Q
SY7000	SY7000-26-3A-Q
SY9000	SY9000-26-3A

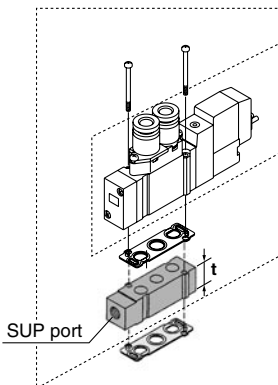
■ Gasket assembly part no.



Series	Gasket assembly
SY3000	SY3000-GS-1
SY5000	SY5000-GS-1
SY7000	SY7000-GS-1
SY9000	SY9000-GS-1

Note) Gasket assembly consists of mounting screws and a gasket.

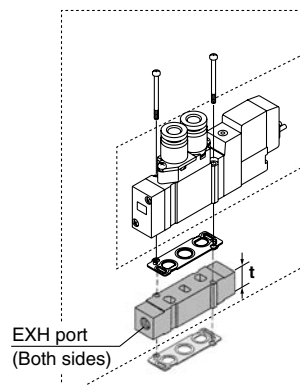
■ Individual SUP spacer assembly



Series	Assembly part no.	Port size	t
SY3000	SY3000-38-20A-Q	M5	10.5
SY5000	SY5000-38-1*A-Q	1/8	15
SY7000	SY7000-38-1*A-Q	1/4	18
SY9000	SY9000-38-1*A-Q	1/4	20

Note) • The SUP port of SY3000/5000/7000 may be either on the lead wire side or on the end plate side. (An assembly is shipped under the conditions shown in the figure.)
• The end plate side is only available to SY9000.

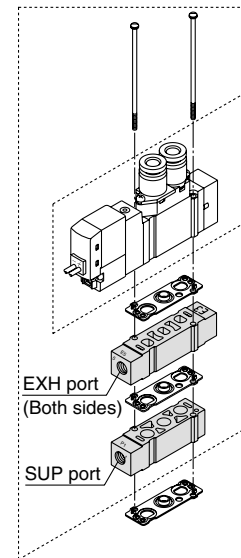
■ Individual EXH spacer assembly



Series	Assembly part no.	Port size	t
SY3000	SY3000-39-20A-Q	M5	10.5
SY5000	SY5000-39-1*A-Q	1/8	15
SY7000	SY7000-39-1*A-Q	1/4	18
SY9000	SY9000-39-1*A-Q	1/4	20

Note) In case of 20P and 23P, for protection of the wiring unit section from drainage, piping at the EA port should be arranged so that it will not be directly exposed to exhaust from the valve.

■ Individual SUP spacer assembly + Individual EXH spacer assembly (Double spacer)



[●: Available X: Not available]

Series	Individual SUP + Individual EXP Assemble part no.	Port size	Applicable manifold types	
			20	20P
SY3000	SY3000-120-1A-Q	M5	●	X
SY5000	SY5000-75-2*A-Q	1/8	●	X
SY7000	SY7000-73-3*A-Q	1/4	●	X

Note) The SUP spacer's port does not have an orientation. As for the EXH ports, adjust the symbol "5" to the pilot valve side. Also, please make sure to connect the individual ports to protect the wiring section of the pilot valve from drainage, etc. The individual SUP spacer and EXH spacer can be mounted either on the upper side or lower side. (The above illustration shows the condition when the product is shipped out from a factory already assembled.)

⚠ Caution

Mounting screw tightening torques

M2: 0.16 N·m
M3: 0.8 N·m
M4: 1.4 N·m

⚠ Warning

When mounting a valve or spacer on the manifold base or sub-plate, etc., those mounting directions are determined. If mounted in the wrong direction, the equipment to be connected may cause malfunction. Refer to external dimensions, and then mount it.

* Thread type

-	Rc
F	G
N	NPT
T	NPTF