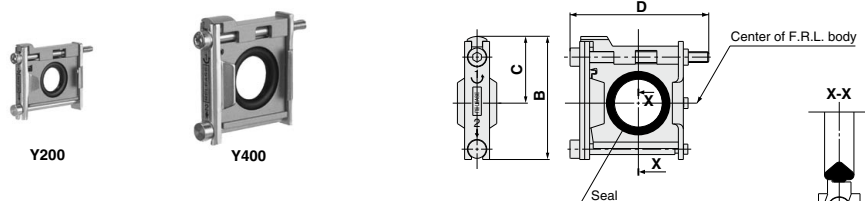


Series E210/310/410

Spacer

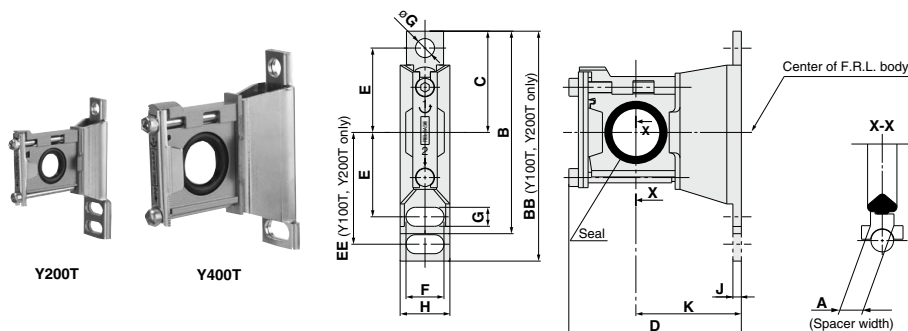


Model	A	B	C	D	Applicable model
Y200	3	35.5	18.5	48	E210
Y300	4	47	26	59	E310
Y400	5	57	31	65	E410

Replacement parts

Description	Material	Part no.		
		Y200	Y300	Y400
Seal	HNBR	Y200P-061S	Y300P-060S	Y400P-060S

Spacer with Bracket



Model	A	B	BB	C	D	E	EE	F	G	øG	H	J	K	Applicable model
Y200T	3	—	67	29	53	24	33	12	5.5	5.5	19	3.2	30	E210
Y300T	4	82	—	41	68	35	—	14	7	7	21	4	41	E310
Y400T	5	96	—	48	81.5	40	—	18	9	9	26	4	50	E410

Replacement parts

Description	Material	Part no.		
		Y200T	Y300T	Y400T
Seal	HNBR	Y200P-061S	Y300P-060S	Y400P-060S